

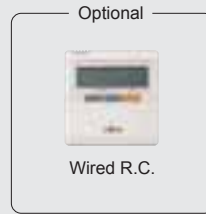
INVERTER

FLOOR TYPE

Simple & Thin design harmonizes with the interior



Wired R.C.



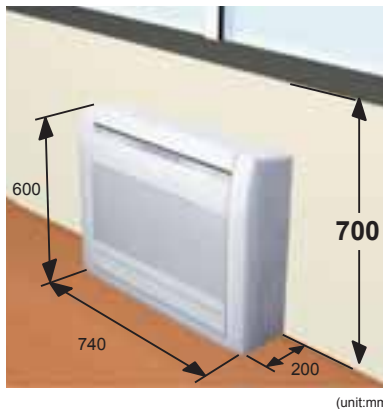
CLASS ALL
A DC
AGYF09LA

CLASS ALL
A DC
AGYF12LA

CLASS ALL
A DC
AGYF14LA

Flexible & easy installation

Beneath standard window



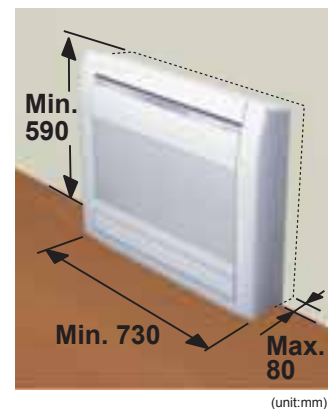
Standard concave portion



Wall



Half concealed (Optional parts necessary)



2-Fan & Wide airflow

Cooling



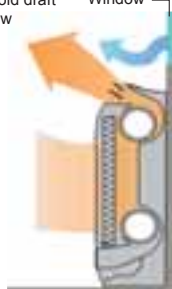
Prevents cold air from falling



Heating



Prevents cold draft from window

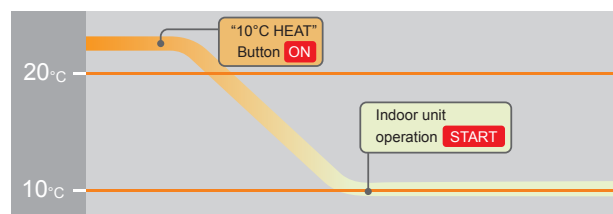


10°C HEAT Operation

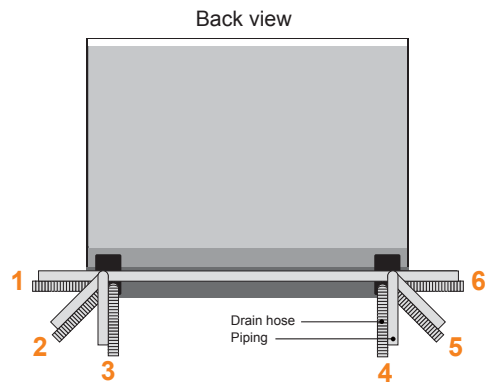
The room temperature can be set to go no lower than 10°C, thus ensuring that the room does not get too cold when not occupied

Caution)

- When the room temperature is higher than 10°C, "10°C HEAT" operation does not start. Operation starts and maintains the room temperature at 10°C for 48 hours when the temperature drops below 10°C.
- When "10°C HEAT" operation stops, the room set temperature quickly returns to the preset temperature.



Choice of 6-direction drain & piping connection



Air conditioner filter features



Long-life* Ion Deodorization Filter

The filter deodorizes by powerfully decomposing absorbed odors using the oxidizing and reducing effects of ions generated by the ultra-fine-particle ceramic.

(*The filter can be used for approx. 3 years if it is washed under water to restore its surface action when it is dirty.)

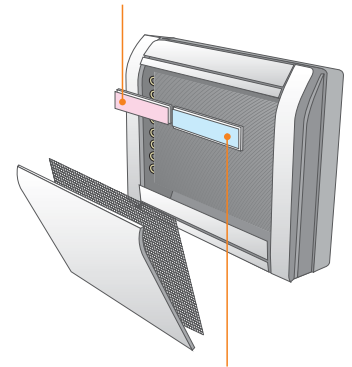
+ Using different filters at both sides



Apple-catechin Filter

Fine dust, invisible mold spores, and harmful microorganisms are absorbed onto the filter by static electricity, and further growth is inhibited and deactivated by the polyphenol extracted from apples.

Apple-catechin Filter

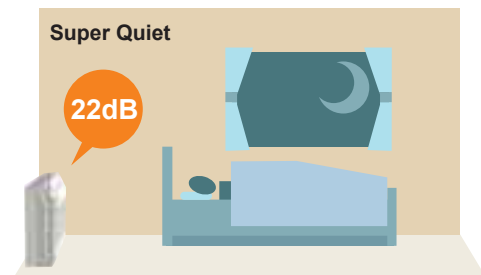


Ion Deodorization Filter

Quiet operation

Industry leading noise levels

Fan speed	Noise level
Quiet	22dB(A)



Built-in timers

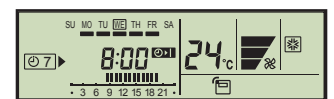
Weekly timer

Possible to set ON/OFF time to operate twice each day of the week

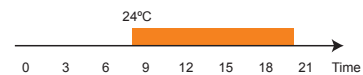


Easy-to-understand time bar display

Setup screen example
(Set to Wednesday: 8:00 to 20:00)

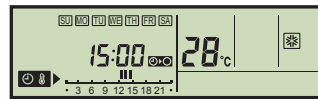


Screen after setup

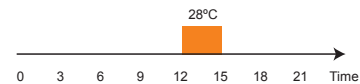


Setback timer

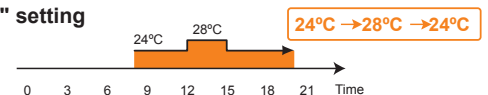
Possible to set temperature for two time spans and for each day of the week



Setup screen example
(Set from Sunday to Saturday: 12:00 to 15:00, 28°C)



At "Weekly timer" + "Set back timer" setting



Low ambient

High efficiency compressor and newly added sensor for monitoring the refrigerant temperature makes possible fine-tuned inverter control which, in turns, make it possible to correspond to lower outdoor temperatures.

Cooling	Heating
-10 to 43°C	-15 to 24°C

Washable panel

Since the panel is removed and washed easily, it is always clean.

Removable panel



Optional parts

Wired Remote Controller: UTB-YUD

Half Concealed Kit: UTR-STA

SPECIFICATIONS

Reference	Model No.	Indoor Unit		AGYF09LA	AGYF12LA	AGYF14LA
		Outdoor Unit		AOYV09LA	AOYV12LA	AOYV14LA
Input Power			V/ø/Hz	230/1/50	230/1/50	230/1/50
Capacity	Cooling		kW	2.60(0.9~3.5)	3.50(0.9~4.0)	4.20(0.9~5.0)
	Heating		kW	3.50(0.9~5.5)	4.50(0.9~6.6)	5.20(0.9~8.0)
Power Consumption	Cooling/Heating		kW	0.53/0.79	0.94/1.19	1.14/1.44
EER - Energy Class	Cooling		W/W	4.91-A	3.72-A	3.68-A
COP - Energy Class	Heating		W/W	4.43-A	3.78-A	3.61-A
Running Current	Cooling/Heating		A	2.6/3.8	4.4/5.5	5.2/6.4
Moisture Removal			l/h	1.3	1.8	2.1
Noise (Indoor)	Cooling	H/M/L/Q	dB(A)	40/35/29/22	40/35/29/22	44/38/31/22
Noise (Outdoor)	Cooling		dB(A)	47	48	50
Airflow (High)	Indoor/Outdoor		m³/h	570/1680	570/1680	650/1910
Net Dimension H x W x D	Indoor		mm	600x740x200	600x740x200	600x740x200
			kg(lbs)	14(31)	14(31)	14(31)
			mm	540x790x290	540x790x290	578x790x300
Weight	Outdoor		kg(lbs)	36(79)	36(79)	40(88)
			kg(lbs)	6.35/9.52	6.35/9.52	6.35/12.7
Piping Connections(Small/Large)			mm	16/29	16/29	16/29
Drain Pipe Diameter (Inner/Outer)			m	20(15)	20(15)	20(15)
Max Pipe Length (Chargeless)			m	15	15	15
Max Height Difference			°C	-10~43	-10~43	-10~43
Operation Range	Cooling		°C	-15~24	-15~24	-15~24
	Heating		°C	-15~24	-15~24	-15~24
Refrigerant				R410A	R410A	R410A